

Sexual Devices from the U.S. Patent Office

The following are inventions patented in the U.S. that are intended to enhance sexuality and may be useful to the disabled. Some of the patents are still in force, some have expired. There are many more patents for sexual devices than are listed here, this is only a small cross section. The full patent is not included for due to file size. I've only included enough to describe the device. For more info use the patent number to search the patent office database at the web address below.

You can view the original patents and do your own searches at:
<http://www.uspto.gov/>

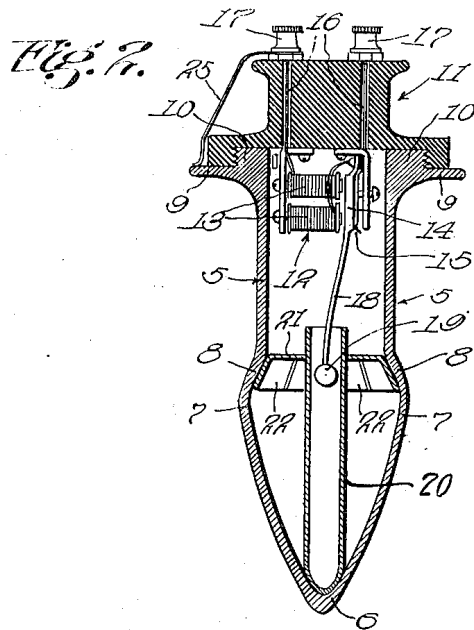
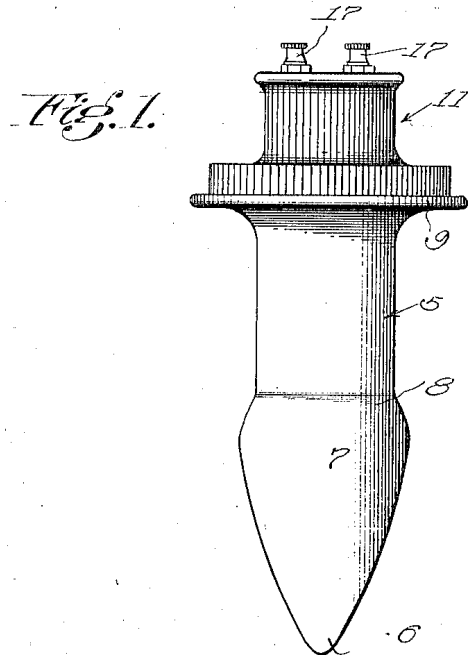
Vibratory Dilator
by
J.T. Keough
Patented July 16, 1912

First electrically powered vibrating vaginal dilator patented in the U.S.

J. T. KEOUGH.
VIBRATORY DILATOR.
APPLICATION FILED JAN. 23, 1911.

1,032,840.

Patented July 16, 1912.



Witnesses
Edward H. Barkelau
Fred W. Brown.

Inventor
John T. Keough
by James T. Barkelau
his Attorney.

Cordless Electric Vibrator for Use on the Human body

by

Jon H. Tavel

December 22, 1970

First small battery powered vibrator patented. Lightweight and easy to handle. Note the use of a resistor to vary the electrical power to the motor and control the speed. This method is still used today (2001) in most battery vibrators. It is very wasteful of battery power since excess power is removed as heat and the motor also functions less efficiently with increased danger of stalling at low speeds.

[72] Inventor **Jon H. Tavel,**
17643 Belinda St., Encino, Calif. 91316

[21] Appl. No. **835,712**

[22] Filed **June 23, 1969**
 Division of Ser. No. 715,631, Mar. 25, 1968,
 Pat. No. 3,451,391, which is a continuation-
 in-part of Ser. No. 516,867, June 30, 1966,
 Pat. No. 3,375,381.

[45] Patented **Dec. 22, 1970**

[56] **References Cited**

UNITED STATES PATENTS

3,451,391	6/1969	Tavel.....	128/36
3,085,169	4/1963	Abel.....	310/50
3,209,228	9/1965	Gawron.....	310/50
3,225,232	12/1965	Turley.....	310/50
3,375,381	3/1968	Tavel.....	310/50
3,403,440	10/1968	Omori.....	310/50

Primary Examiner—D. F. Duggan
Attorney—Robert C. Comstock

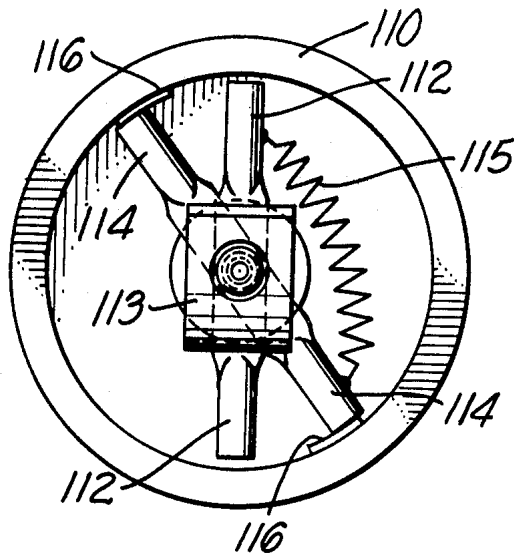
[54] **CORDLESS ELECTRIC VIBRATOR FOR USE ON THE HUMAN BODY**
7 Claims, 10 Drawing Figs.

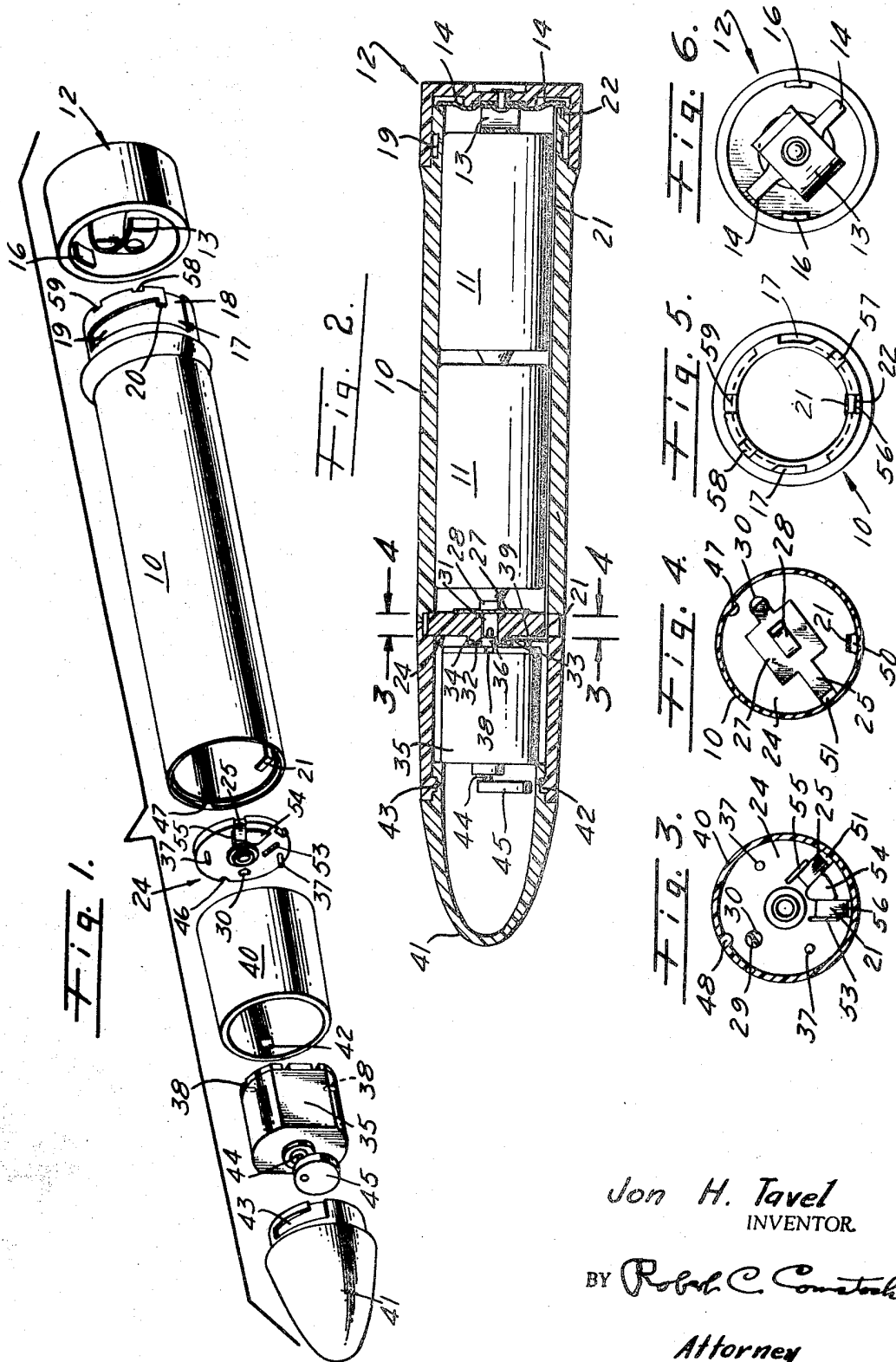
[52] **U.S. Cl.**..... **310/68,**
 310/81, 128/36

[51] **Int. Cl.**..... **H02k 11/00**

[50] **Field of Search**..... 310/66, 68,
 56, 81; 128/36

ABSTRACT: A cordless electric vibrator which is adapted for use on the human body. The vibrator is small and compact, and can be held in one hand and applied to any part of the body. The structure is simple and compact and the exterior housing may comprise only one piece of molded plastic, except for the removable cap. The vibrator may be selectively operated at high or low speed by manual rotation of the end cap.





Jon H. Tavel
INVENTOR

BY Robert C. Comstock

Attorney

Couch
by
Harold M. Metzger
May 28, 1974

A couch designed for "marital union" or sexual intercourse.

[54] COUCH

[76] Inventor: **Harold M. Metzger**, Rt. 4, Box 3,
 Greenville, Ala. 36037

[22] Filed: **Sept. 7, 1972**

[21] Appl. No.: **287,155**

[52] U.S. Cl. **269/322, 5/327, 269/328**

[51] Int. Cl. **A61g 13/00**

[58] Field of Search 269/322, 328; 128/1;
 5/327, 338, 345; 297/456, 457

[56] **References Cited**

UNITED STATES PATENTS

1,194,112	1/1915	Wood et al.	269/322
3,101,972	8/1963	Laughlin	297/475
3,318,596	5/1967	Herzog	269/328
3,532,336	10/1970	Baker	269/328

FOREIGN PATENTS OR APPLICATIONS

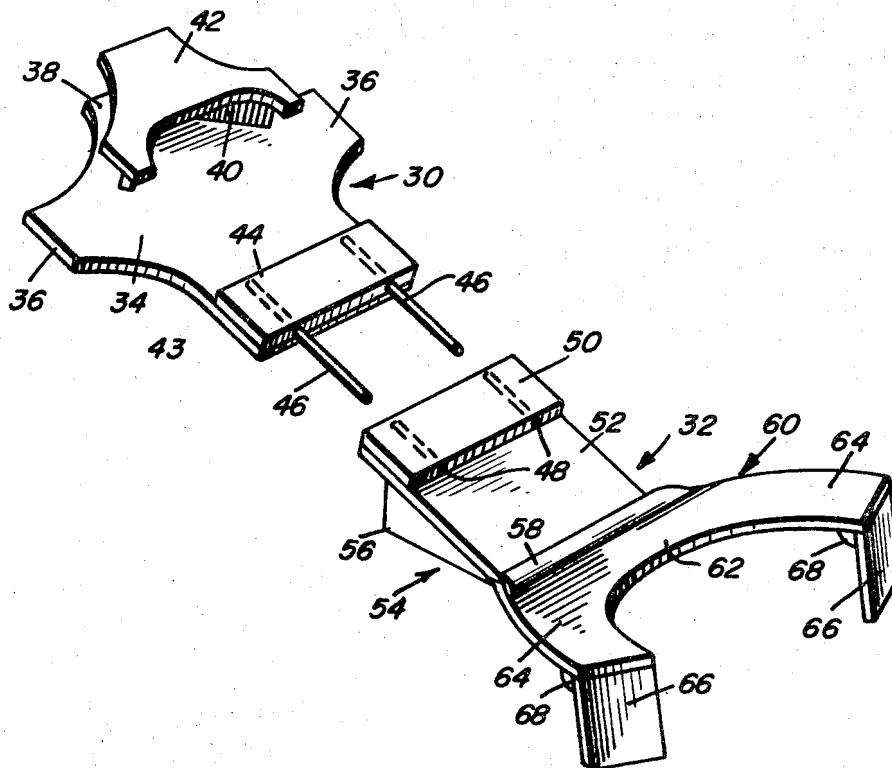
814,770	6/1959	Great Britain	269/328
---------	--------	---------------------	---------

Primary Examiner—Granville Y. Custer, Jr.
Assistant Examiner—Craig R. Feinberg
Attorney, Agent, or Firm—Clarence A. O'Brien; Harvey B. Jacobson

[57] **ABSTRACT**

A knockdown couch embodying a pair of elongated upholstered half-sections having coplanar abutting surfaces separably and connectively joined by a pair of parallel male pins telescopingly fitted into oriented female sockets which are provided therefor. The respective half-sections are expressly designed and contoured to provide a comforting and restful couch for a recumbent occupant who, for example, may be called upon to assume changeable postural positions while undergoing a gynecological examination, while receiving a treatment for sterility, for post-operative support in cases requiring elevation of the pelvis, and for body support while consummating an act of marital union.

8 Claims, 5 Drawing Figures



Dual Occupancy Cradle
by
Bernie Edward Gallant
June 13, 1972

Cradle designed to support the weight of one of the partners over the other partner during sex. Since the side supports are collapsible by hinges, the lateral stability of this device may not be very good.

United States Patent

Gallant

[15] **3,668,722**
 [45] **June 13, 1972**

[54] **DUAL OCCUPANCY CRADLE**
 [72] Inventor: **Bernie Edward Gallant**, 860 Loring Street,
 San Diego, Calif. 92109
 [22] Filed: **June 12, 1970**
 [21] Appl. No.: **45,709**

2,986,747 6/1961 Posey.....5/327 R
 1,217,246 2/1917 Wallace.....297/439
 3,472,223 10/1969 Barrio.....128/30

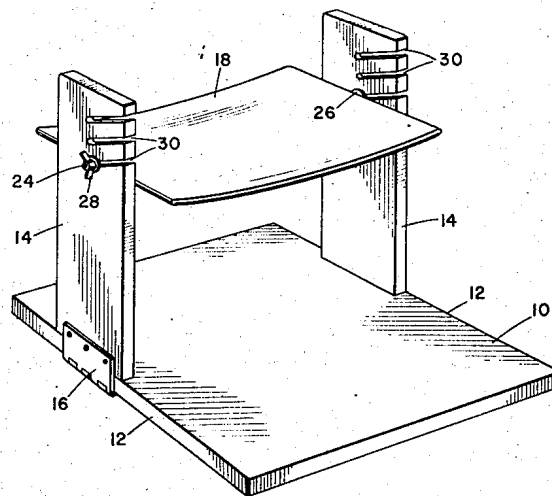
Primary Examiner—Bobby R. Gay
Assistant Examiner—Andrew M. Calvert
Attorney—Knox & Knox

[52] U.S. Cl.....5/327, 5/338, 128/1,
 128/79
 [51] Int. Cl.A47c 21/00, A47c 9/00
 [58] Field of Search.....128/33, 78, 80, 1; 5/81, 83,
 5/92, 317, 327, 337, 338; 297/438, 439; 272/58

[57] **ABSTRACT**
 A cradle for use by two adults simultaneously. More specifically it is easily portable equipment for accomodation of one prone person and for supporting the weight of a superimposed prone adult person, the item consisting essentially of an upholstered base with a hammock swung thereover. The item is collapsible and the height of the hammock is adjustable. The disclosure includes a foot rest or bench which may be used concurrently.

[56] **References Cited**
UNITED STATES PATENTS
 924,075 6/1969 Johnson.....5/327 R

7 Claims, 3 Drawing Figures



Sexual Aid
by
Elaine Lerner
June 25, 1985

A device to control the action of partner's hips during sexual intercourse.

[54] SEXUAL AID

[76] Inventor: Elaine Lerner, 6 Duggan St.,
Stoughton, Mass. 02072

[21] Appl. No.: 499,507

[22] Filed: May 31, 1983

[51] Int. Cl.³ A61B 19/00

[52] U.S. Cl. 128/1 R; 128/98

[58] Field of Search 2/44; 128/1 R, 132-134,
128/138, 95-99, 155, 524, 531

[56] References Cited

U.S. PATENT DOCUMENTS

976,564 11/1910 Goodson 128/133
4,343,299 8/1982 Oxendine 128/134 X
4,430,990 2/1984 Whitehead 128/134 X

FOREIGN PATENT DOCUMENTS

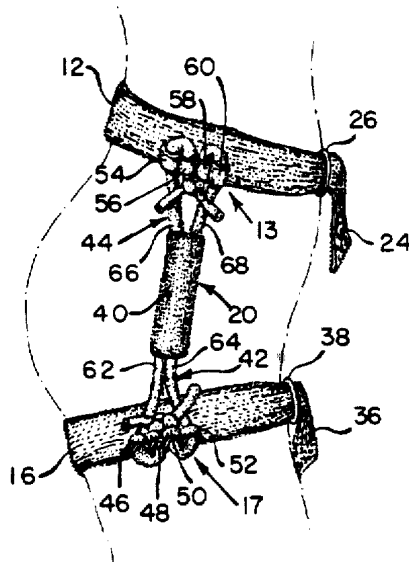
1714 3/1820 France 128/99

Primary Examiner—Dalton L. Truluck
Attorney, Agent, or Firm—Herbert L. Gatewood

[57] ABSTRACT

A device is provided for wearing during sexual intercourse including a waist band which can be fastened around a person's waist and leg bands for fastening around that person's thighs, the waist and thigh bands being connected together by nonextensible material providing a portion for gripping by one's partner whereby the partner can control the wearer's hip movements, as desired.

2 Claims, 2 Drawing Figures



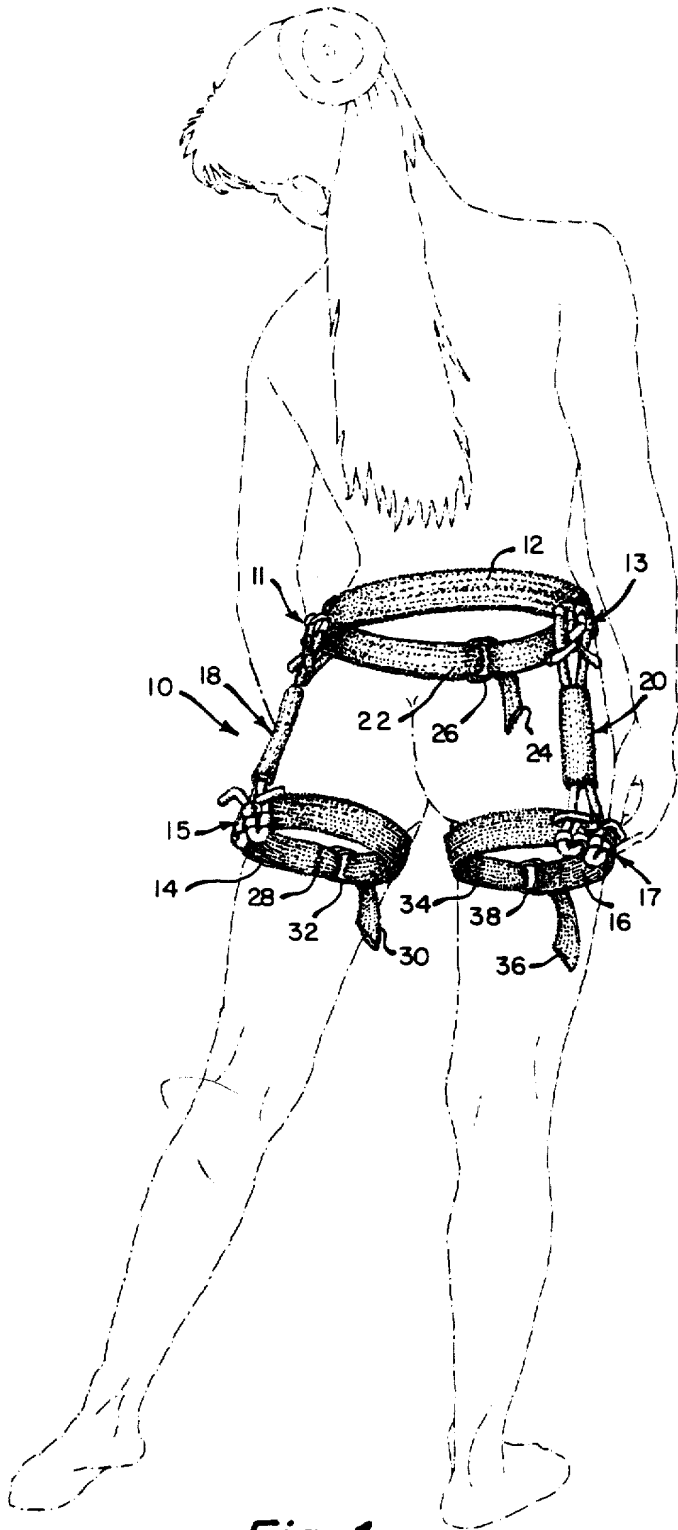


Fig. 1

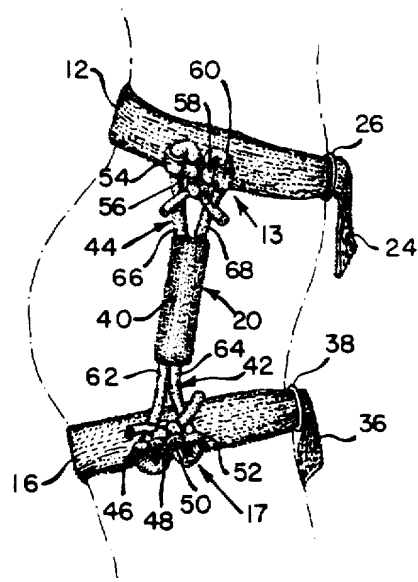


Fig. 2

Female stimulator comprising close-fitting clitoral suction chamber
by
Robert Hockhalter
August 8, 2000

This device works like similar pump devices for the penis; it creates a partial vacuum to expand and erect the clitoris increasing its' sensitivity.

[54] **FEMALE STIMULATOR COMPRISING
 CLOSE-FITTING CLITORAL SUCTION
 CHAMBER**

[76] Inventor: **Robert Hockhalter**, 8126 W. Evergreen
 La., Frankfort, Ill. 60423

[21] Appl. No.: **09/128,607**

[22] Filed: **Aug. 3, 1998**

[51] **Int. Cl.**⁷ **A61F 5/00**

[52] **U.S. Cl.** **600/38**

[58] **Field of Search** 600/38; 601/84

[56] **References Cited**

U.S. PATENT DOCUMENTS

D. 320,087	9/1991	Sholzberg	D24/215
D. 368,140	3/1996	Hopper	D24/215
D. 376,650	12/1996	Kain	D24/215
D. 378,418	3/1997	Bowker et al.	D24/215
3,114,916	12/1963	Hadley	4/110
3,362,401	1/1968	Katz	128/44
3,504,665	4/1970	Bakunin et al.	128/36
3,626,931	12/1971	Bysakh	128/32
4,033,338	7/1977	Igwebike	128/36
4,531,939	7/1985	Izumi	604/73
5,020,522	6/1991	Stewart	128/79
5,243,968	9/1993	Byun	128/40
5,470,303	11/1995	Leonard et al.	601/84
5,693,002	12/1997	Tucker et al.	600/38

FOREIGN PATENT DOCUMENTS

2207169 9/1972 Germany .

OTHER PUBLICATIONS

Hustler Oral Pleasure device, ©1997 Topco Sales. San Fernando, CA.

Golden Bumble vibrating suction pump clitoral stimulator, ©1997 California Exotic Novelties Inc., Chino, CA.

Pussy Pleaser suction cup, discovered May 1998, sold by Leisure Time Products, P.O. Box M827, Gary, IN 46401-0827.

Jelly Climaxer stimulator, discovered May 1998, sold by Voyages Catalog Group, P.O. Box 2709, Plattsburgh, NY 12901-0239.

Primary Examiner—Max Hindenburg

Assistant Examiner—Brian Szmaj

Attorney, Agent, or Firm—David Pressman

[57] **ABSTRACT**

A female stimulation device is comprised of a tubular suction chamber sized for closely fitting around a clitoris. The suction chamber is connected to a variable partial vacuum source through a tubing. The partial vacuum source may be the mouth of a user or a mechanical device, such as a vacuum bulb or pump. The clitoris is drawn outwardly by the partial vacuum, so that it is engorged with blood to produce a sexually pleasurable sensation. The force of suction may be controlled by a check and suction release valve, which is also used to release the partial vacuum. The front end of the suction chamber is shaped to provide an air-tight but comfortable seal.

21 Claims, 2 Drawing Sheets

